

INSTRUCTION MANUAL

MODEL:CTSHF7400

IMPORTANT NOTICE

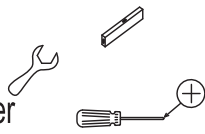
- Before the installation process begins, ensure that all components are in the box, and that the door is not damaged in any way.
- Be careful when moving the product, especially the glass, as it is tempered and is designed to shatter if cracked or chipped.
- Read these instructions carefully and install the shower screen as specified below. We recommend that you use one of our preferred installers to install this shower screen.

Tools used during installation.

Spirit level

Spanner

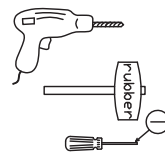
Star screwdriver



Electric Drill

Rubber hammer

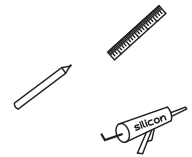
Flat screwdriver



Measuring tape

Pencil

Silicone sealer



Accessories list

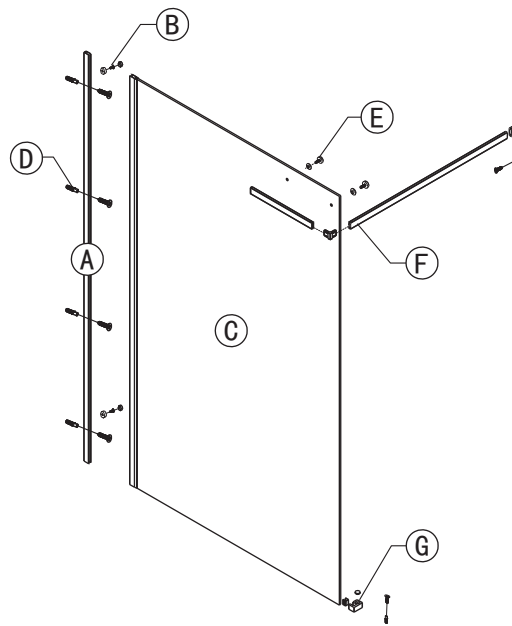
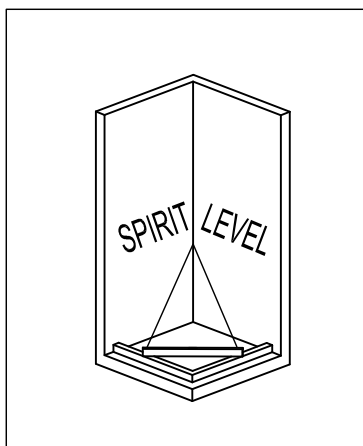


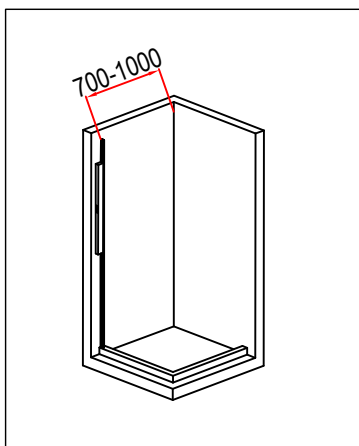
Fig.1

N.O.	PART NAME	QUAN.	N.O.	PART NAME	QUAN.
A	ALUMINIUM WALL CHANNEL	1	E	DECORATIVE SCREW	2
B	ST4*10 SCREW	2	F	SUPPORTING ARM	1
C	GLASS PANEL	1	G	FLOOR BRACKET	1
D	SCREW AND WALL PLUGS	6			

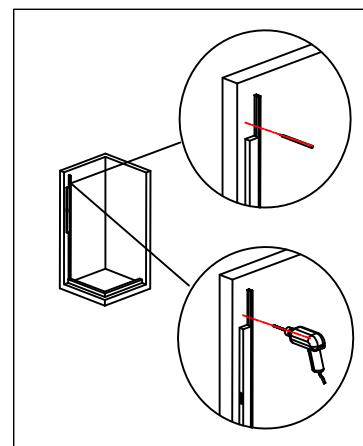
Installing glass panel CTSHF7400(1200).



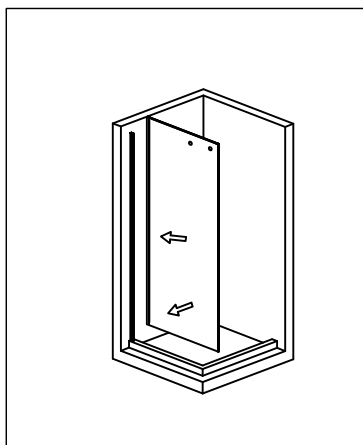
1. Ensure that the floor/tray is level before you begin with the installation.



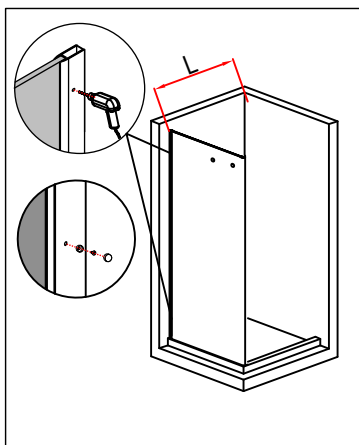
2. Measure 700-1000mm from the 90 degree corner and mark on the outside of the aluminium wall channel.



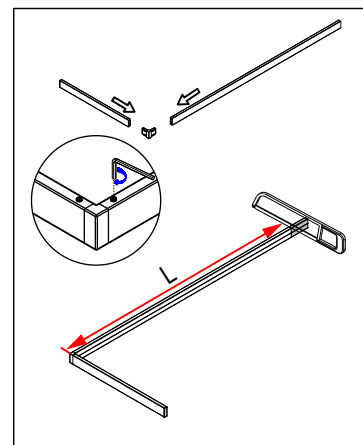
3. Ensure that you use a spirit level to make sure that the wall channel is completely plumb before you mark and drill the holes.



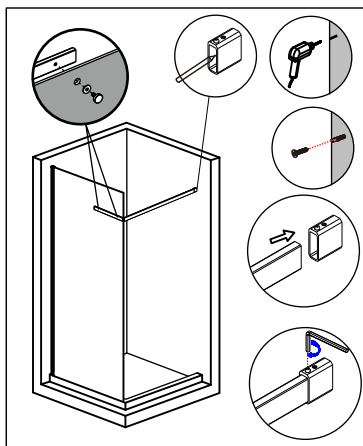
4. Installing glass panel.



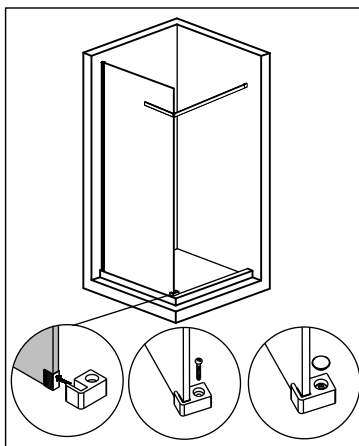
5. Once the screen is in place and the profiles are correctly placed over the wall channels, you can fix the screen in place through supplied screws and decorative caps.



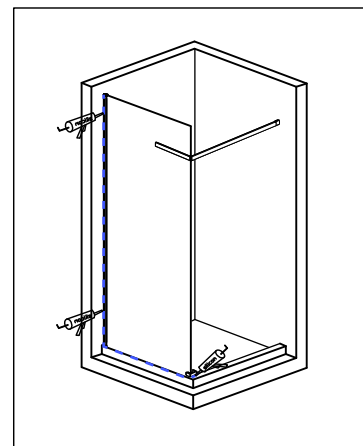
6. Assemble supporting arm. Use metal saw or technical electric motor saw to cut the length if needed.



7. Installing supporting arm.



8. Set floor bracket.



9. You now need to seal the screen with a good anti fungal silicone, only seal the out side of the screen. DO NOT SEAL THE ENCLOSURE ON BOTH SIDES!



10. Allow the screen to dry for at least 24 hours before making use of it.