

# UM40

Sink material	Stainless steel
Type	Monoblock bowl
No. of bowls	1
EAN code	8017709140199



## Aesthetics



<b>Aesthetic Serie</b>	Universale	<b>Building in type</b>	Undermount
<b>Colour</b>	Alba	<b>Logo</b>	Embossed
<b>Finishing</b>	Stainless steel	<b>Alternative colours available</b>	Stainless steel PVD Black, Stainless steel PVD Copper, Stainless steel PVD Brass
	Brushed		

	Bowl type	Bowl dimensions, WxDxH (mm)	Bowl depth (mm)	Radius corner bowl	Overflow	Strainer position	Strainer dimension
Bowl	Minimum radius	400 x 340 x 180	180	75	Yes, traditional	Wall position	3.5"

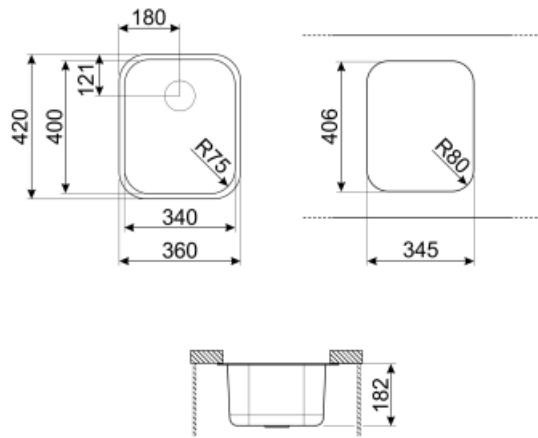
## Technical Features



<b>Dimensions of the product (mm)</b>	180x420x360 mm	<b>Tap hole diameter</b>	35 mm
<b>Cutout dimension undermount (mm)</b>	345.3*405.5 mm	<b>No. of clips</b>	4
<b>Base unit size</b>	45 cm	<b>Type of clips</b>	Undermount clip

## Accessories Included

<b>Accessories for installation</b>	Strainer, Fixing clips
-------------------------------------	------------------------



---

## Not included accessories

---



### RND1V

Rondò waste kit 1 bowl with standard overflow



### KITFD050

Waste disposal 0,5 HP, Motor: 1/2 horsepower, Fits all sinks with 3 1/2" waste outlet



### DB34

St/steel drain basket to fit STD radius 340 x 400 bowl, 180 mm depth



### KITFD100

Waste disposal 1 HP, Motor: 1/2 horsepower, Fits all sinks with 3 1/2" waste outlet



### 3712

Siphon single bowl sinks (dishwasher connection included)



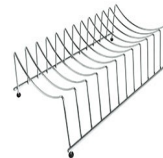
### 3713

Siphon double bowls sinks (dishwasher connection included)



### KITFD075

Waste disposal 0,75 HP, Motor: 1/2 horsepower, Fits all sinks with 3 1/2" waste outlet




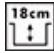

### COLPTX

Draining rack base 300 x 185 x 82 mm

---

## Symbols glossary (TT)

---

- |  |   |   |   |
|--|---|---|---|
|  | Cupboard width required for sink installation   |  | Sink depth - depending on the model, the depth can be from 13 to 24,5 |
|  | Under table top installation: The sink is fixed under tabletop, which extends the work surface and the depth of the sink. |   |   |