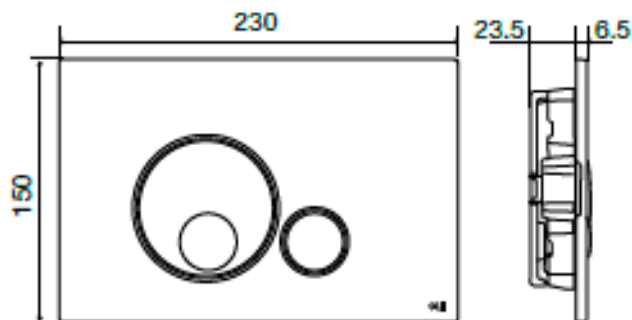


# Technical Sheet

## Globe Control Plate



### Product Identification

- |               |                          |
|---------------|--------------------------|
| <b>152950</b> | • Globe Polished Chrome  |
| <b>152951</b> | • Globe Matt Chrome      |
| <b>152949</b> | • Globe White            |
| <b>152952</b> | • Globe Black Soft Touch |
| <b>152953</b> | • Globe Gray Soft Touch  |

### Definition and Application

- Mechanic control plate for OLI in-wall cisterns

### Technical Features

- Dual flush
- ABS control plate
- Actuation force <20N
- 6,5mm thickness
- Soft Touch finishing available
- Dimensions: 255 X 150 mm
- Available with OLIpure

#### **Accessories**

- 2 Fast Fit actuation screws;
- 2 Fast Fix fixation screws;

Millimetres measures

# Technical Sheet

Globe Control Plate



## Compatible Cisterns

- Mechanic OLI74 Plus
- Mechanic OLI120 Plus
- Mechanic Expert Evo

## Warranty

For the terms of warranty please visit [www.oli-world.com](http://www.oli-world.com)

## Observations

There are available similar products. For more information please consult our Sanitary Installation Systems catalogue or our site [www.oli-world.com](http://www.oli-world.com)

Millimetres measures