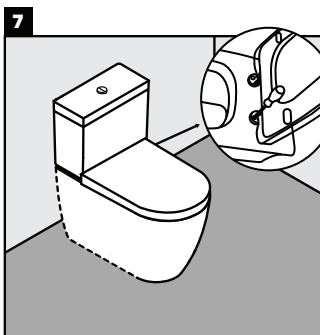
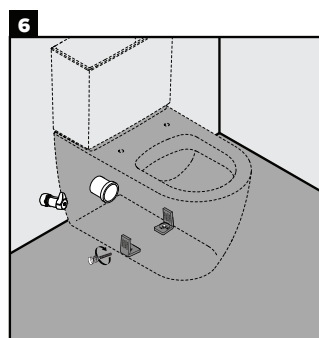
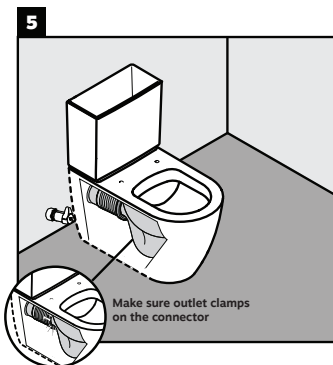
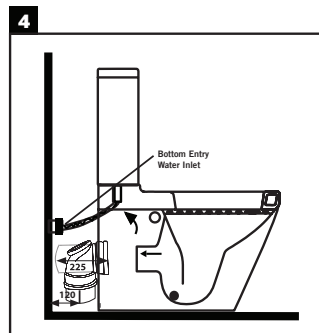
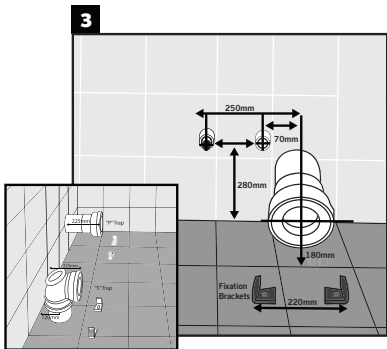
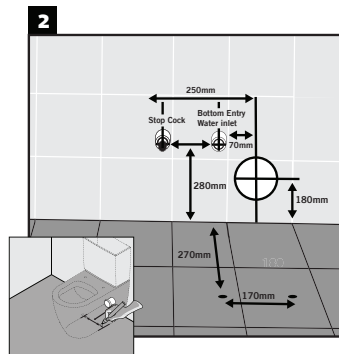
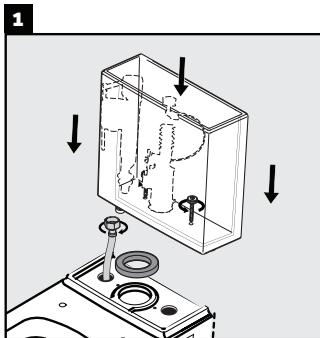


## 8. INSTALLATION GUIDES

### 8.1 Floor-Mounted Pan Installation Guide

#### Important

Please read these instructions before installing the pan.  
We recommend using a qualified plumber for this job.



1. **NOTE:** The cistern must be fitted onto the pan before you start with the installation of the pan. Place pan on a flat (even) surface for best results.

2. Make markings on the floor surface, for drilling of fixation holes (pan).

3. Remove the pan and drill holes into the concrete floor.

4. Connect the water supply inlet pipe before you push the toilet back into the correct position. Make sure that it is not leaking after connecting it.

5. Slide outlet of pan onto pan connector of outlet pipe (to be fitted by a qualified plumber).

6. Attach pan to the floor using screw fixations and tighten the pan onto the L brackets.

7. Fit the seat as per manufacturer's instructions.