

# Important

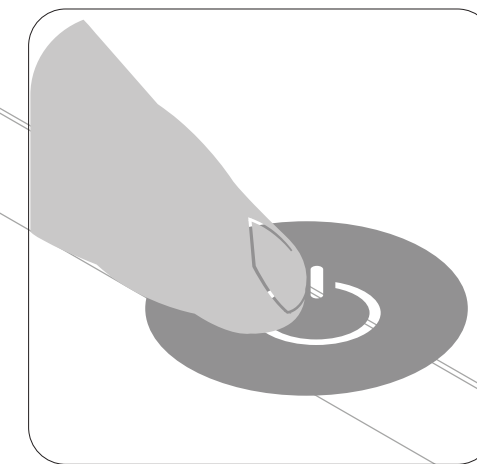
Please read these instructions before installing the bath.  
We recommend using a qualified plumber/installer for this job.

## Notes: spa bath motor

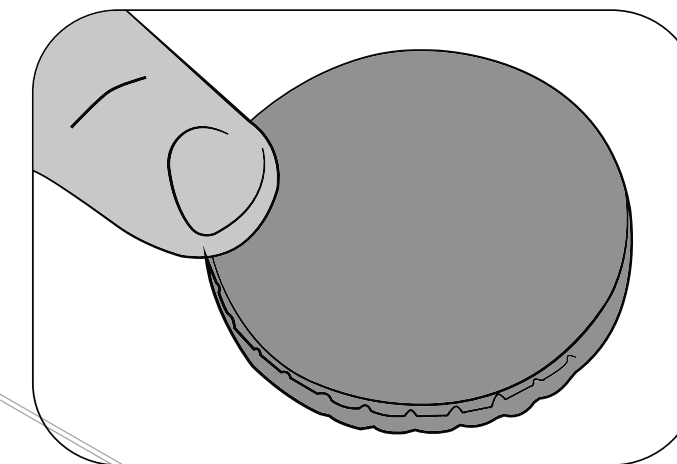
Pump and plumbing for the spa baths come pre-installed from the factory.

- An access panel is required for easy access to the pump and plumbing.
- Ventilation for the pumps and motors is a requirement.
- A waterproofed isolating switch must be near the motor so the pump can be switched off and worked on.
- Do not lift the bath by any of the plumbing fittings or pipes, as this might cause a leak.
- The metal frame on the bottom of the conversion is for the support of the bath, but the bath still needs to be placed on a mortar mix.
- Although the spa bath has been through stringent water and quality checks at the factory, rough handling causes leakages.
- Please test the bath before it is installed completely as follows:
  - Fill the bath above the jets.
  - Hold in the on/off switch and bellows button for seconds.
  - The system needs to be airtight and have no air leaks, so if the pump does not switch on, check that the clear 3mm bellows tubing is connected to the pump and bellows button.
  - If, after holding in the bellows button for 3 seconds,

- water does not flow through the pipes, there might be a blockage. Pull off the tubing where it connects to the T-piece and start to open the pipe.
- Once open, place the pipe back on the T-piece and start the system again. The motor should run continuously now.
  - When it starts, allow to stand for 30 minutes and carefully check for possible leaks.



TOUCH PAD



FLOW CONTROLLER

The flow of the bubbles can be controlled by turning the knob left or right

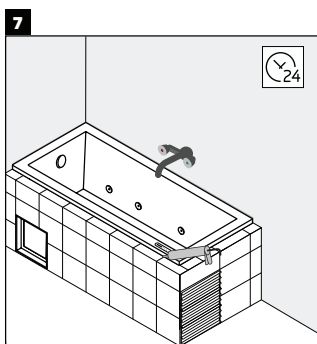
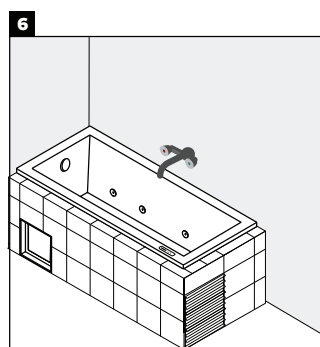
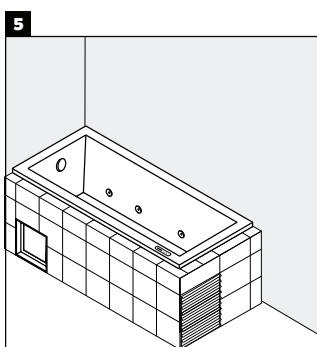
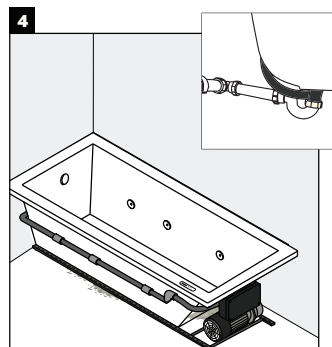
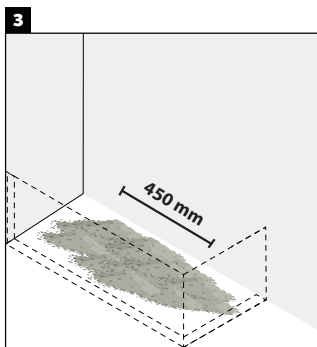
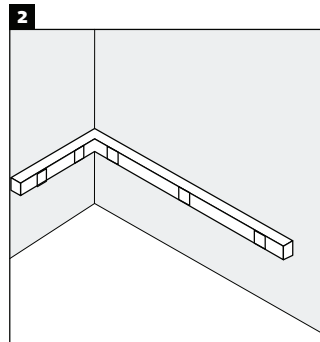
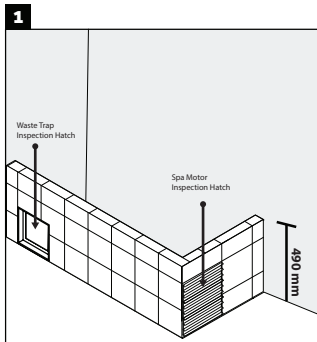
Once all the tests have been completed, the frame of the bath can be finished. Please make sure that the frame does not come in contact with the plumbing and pump. You can finish the frame with any materials that work with your interior design.

# Spa Bath Installation Guide

## Important

An inspection hatch is essential.

No claims will be entertained if you fail install an inspection hatch.



1. Build a retaining wall to height of 490mm, which leaves enough space for the tile adhesive and the tile to bring it to a height of 500mm. By law you are required to leave a 350 x 350mm space close to the waste end for an inspection hatch when building the brickwork.
2. Measure 500mm above the floor and mark. Securely fasten the support cleats on the back and side wall, making sure they are level.
3. Do not use water when making the mortar mixture. Pour the mortar mix (3 parts river sand to 1 part cement) in a dome shape in the center, 450mm away from the wall on the waste side to a height of 20 – 25cm. This ensures that when you lower the bath into position, the mortar spreads and the bath is embedded properly.
4. Connect the waste pipe and overflow or Nikki spout where applicable.
5. Position the bath on top of the mortar mix and press the bath down to make sure it's bedded down and level with the retaining wall. Do not add water to the bath after installing it. Allow the bath to set for 24 hours.
6. Install all the taps and fittings.
7. Seal the bath with silicone sealant to prevent water from entering through any gaps. Leave for 24 hours to set. Double-check for any leaks and gaps.