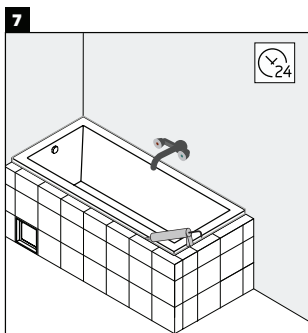
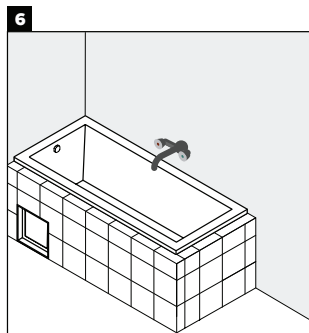
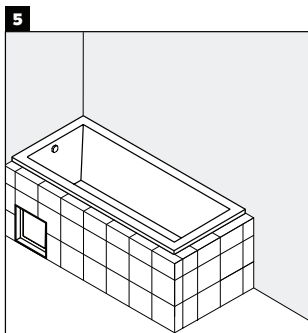
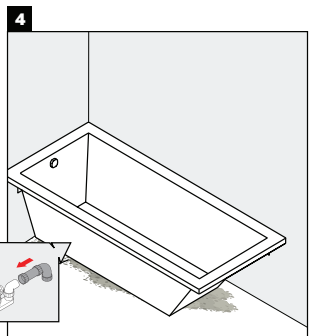
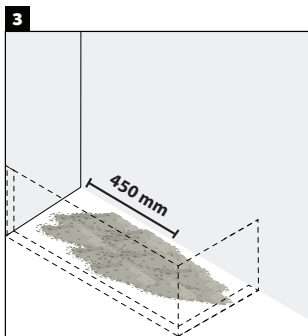
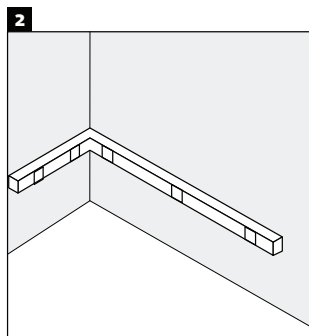
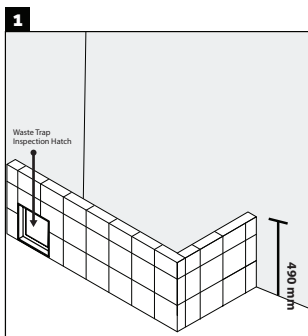


Drop In Bath Installation Guide

Important

Please read these instructions before installing the bath.
 We recommend a qualified plumber/installer for this job.
 An inspection hatch is essential.
 No claims will be entertained if you fail install an inspection hatch.



1. Build a retaining wall to height of 490mm, which leaves enough space for the tile adhesive and the tile to bring it to a height of 500mm. By law you are required to leave a 350 x 350mm space close to the waste end for an inspection hatch when building the brickwork.
2. Measure 500mm above the floor and mark. Securely fasten the support cleats on the back and side wall, making sure they are level.
3. Do not use water when making the mortar mixture. Pour the mortar mix (3 parts river sand to 1 part cement) in a dome shape in the center, 450mm away from the wall on the waste side to a height of 20 – 25cm. This ensures that when you lower the bath into position, the mortar spreads and the bath is embedded properly.
4. Connect the waste pipe and overflow or Nikki spout where applicable.
5. Position the bath on top of the mortar mix and press the bath down to make sure it's bedded down and level with the retaining wall. Do not add water into the bath after installing it. Allow the bath to set for 24 hours. Once the bath is set, fill it with water to check for leaks.
6. Install all the taps and fittings.
7. Seal the bath with silicone sealant to prevent water from entering through any gaps. Leave for 24 hours to set. Double-check for any leaks and gaps.