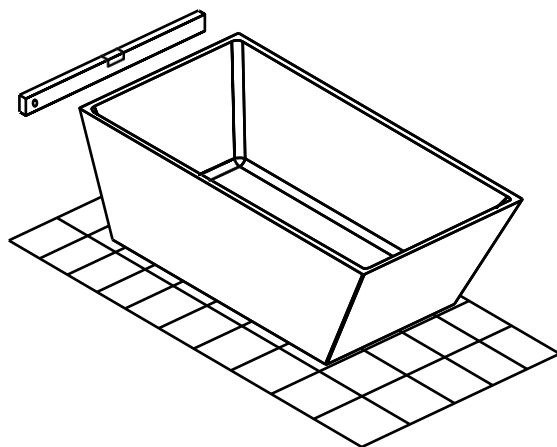


INSTRUCTION DO BATHTUB INSTALLATION

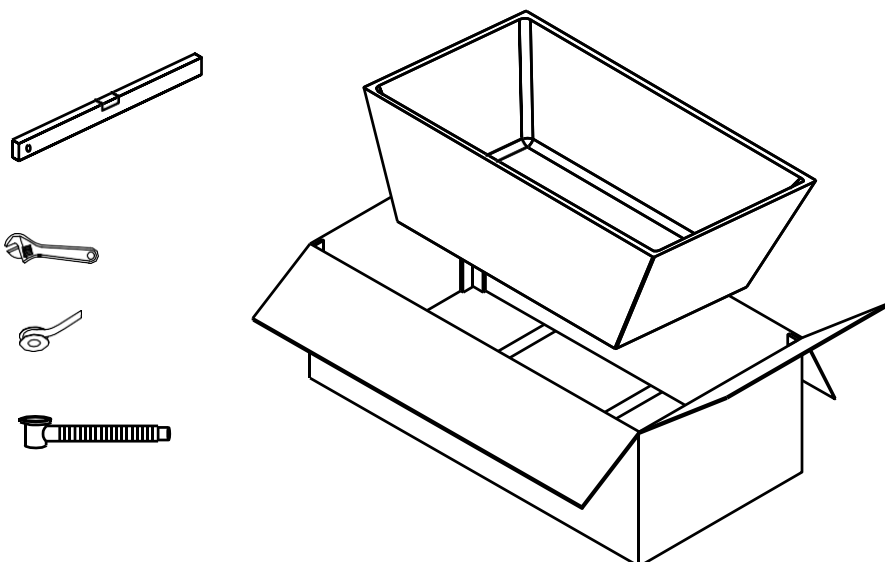


Installation instructions for freestanding bathtub

The installation of the bathtub, especially the installation of the drain pipe, should be completed in the following ways

1. Unpack from the cart on:

- Make sure the tub does not come into contact with objects that could scratch its surface and should be installed on a cardboard box or carpet.

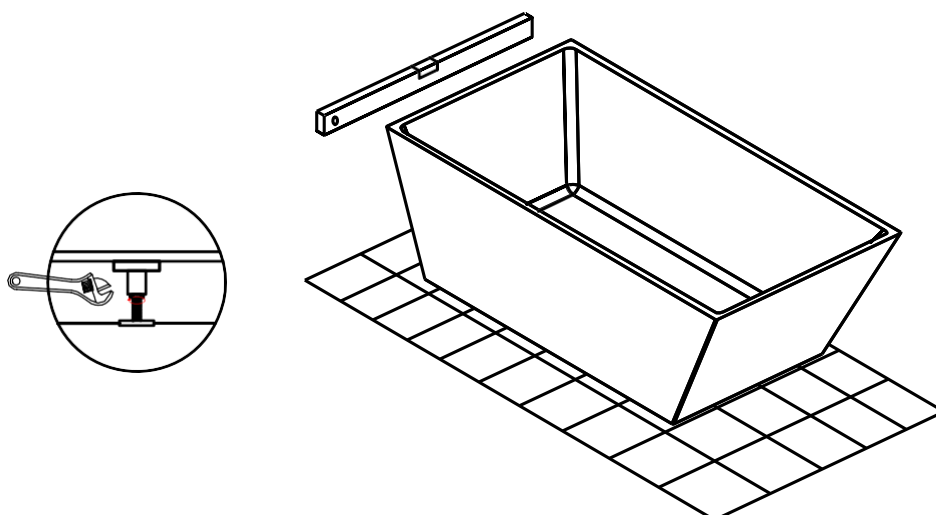


2. Adjust the bathtub bottom legs so that the bathtub is installed in a completely horizontal position

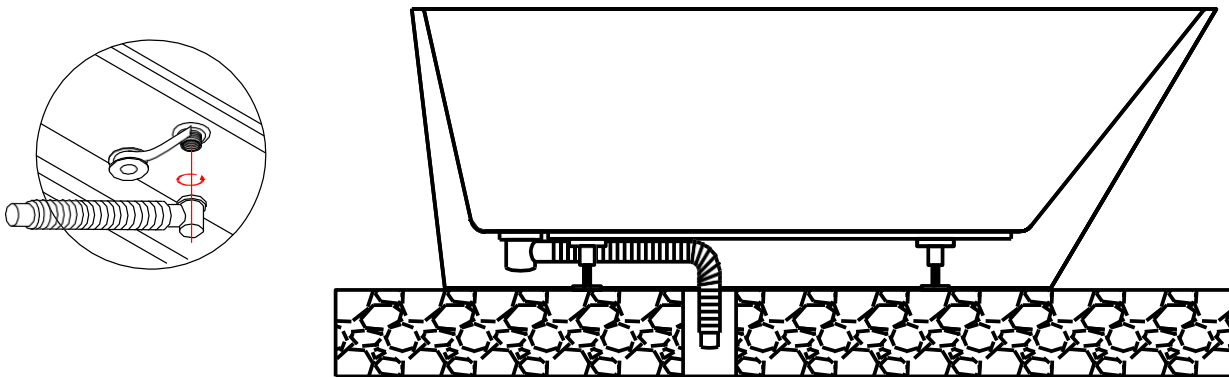
znajdują się żadne przeszkody.

! The horizontal position of the bathtub allows the water to drain normally

- Make sure the tub legs are aligned with the base and check for obstructions under the tub.

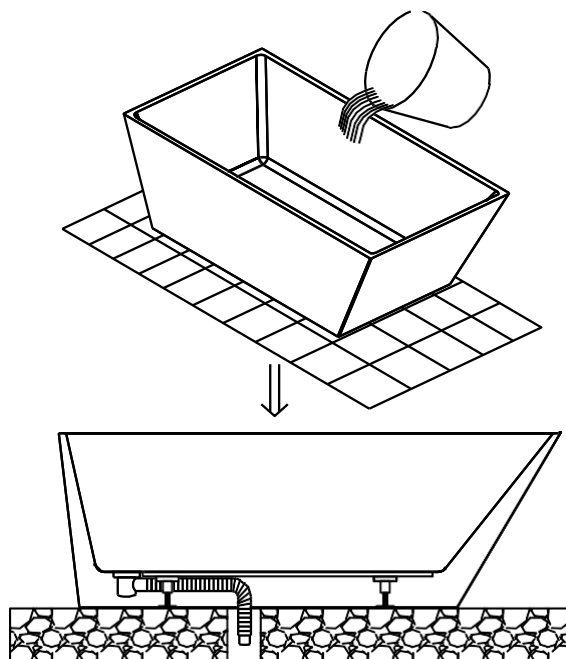


3. Connect the drain pipe to the bathtub bottom outlet:



4. Check that the water in the tub drains correctly:

- Remove the protective film from the tub.
- Fill with water and then check for free discharge, a small amount of water may remain at the bottom of the tub due to surface tension.



5. Apply a thin layer of silicone around the bathtub drain 24 hours in advance before using